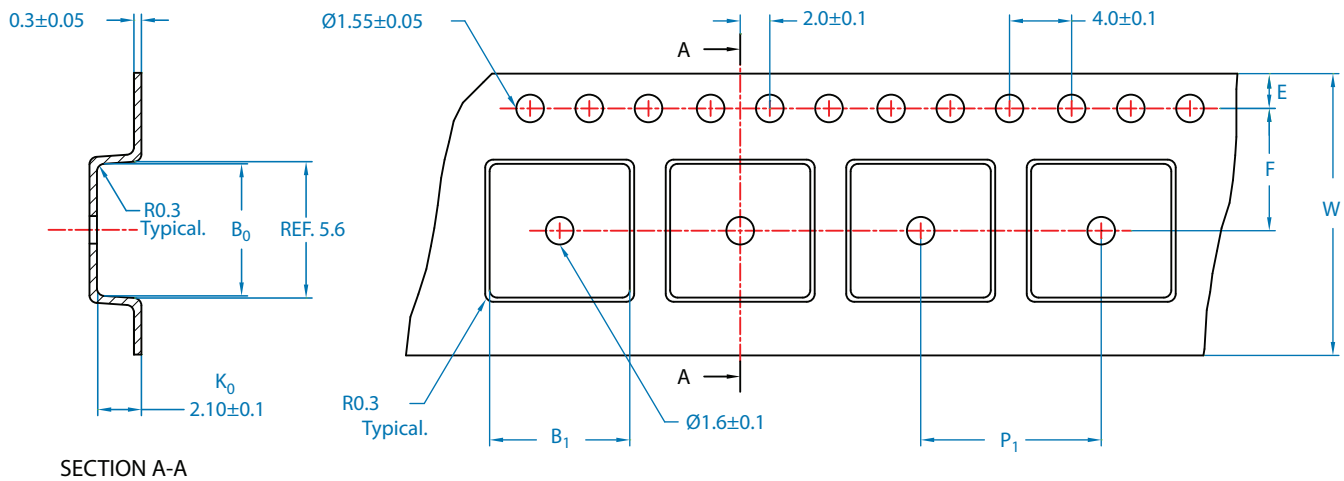


TAPE & REEL SPECIFICATIONS

20-pin SOIC Package

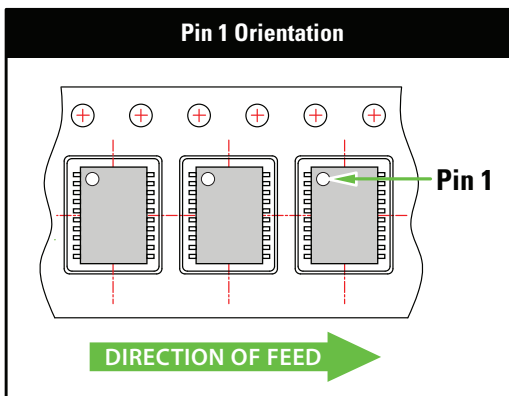


Carrier Tape Critical Dimensions



Lead Count	Package	Carrier Tape Dimensions (mm)							
		W	F	E	B ₀	B ₁	K ₀	Pitch (P ₁)	Thickness
20	SOIC 20-pin	24.00 ± 0.3	11.50 ± 0.1	1.75	13.30 ± 0.1	10.90 ± 0.1	3.00 ± 0.1	12.00 ± 0.1	0.30 ± 0.05

Cover Tape Width	Reel Diameter	Leader Length	Trailer Length	Qty / Reel
21.3 mm	330 mm	390 mm	160 mm	1000

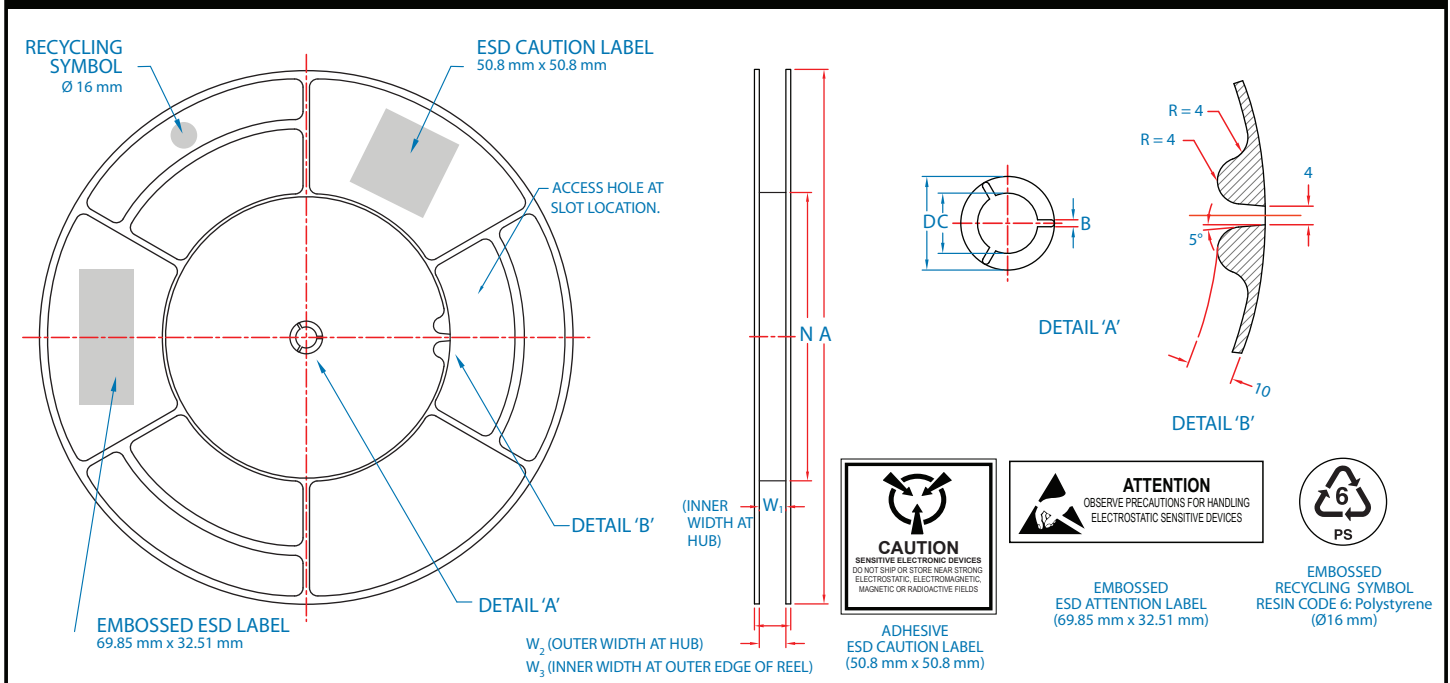


Typical Label Specifications

- Product number
- Lot number (max. 2 lots)
- Quantity (of ea. lot)
- Internal mfg. no. (optional)
- Country of origin
- UL Recognized Component mark with adjacent UL file number (*Processor companion parts only*)
- Date code
- No. of boxes in shipment
- Quality assurance stamp

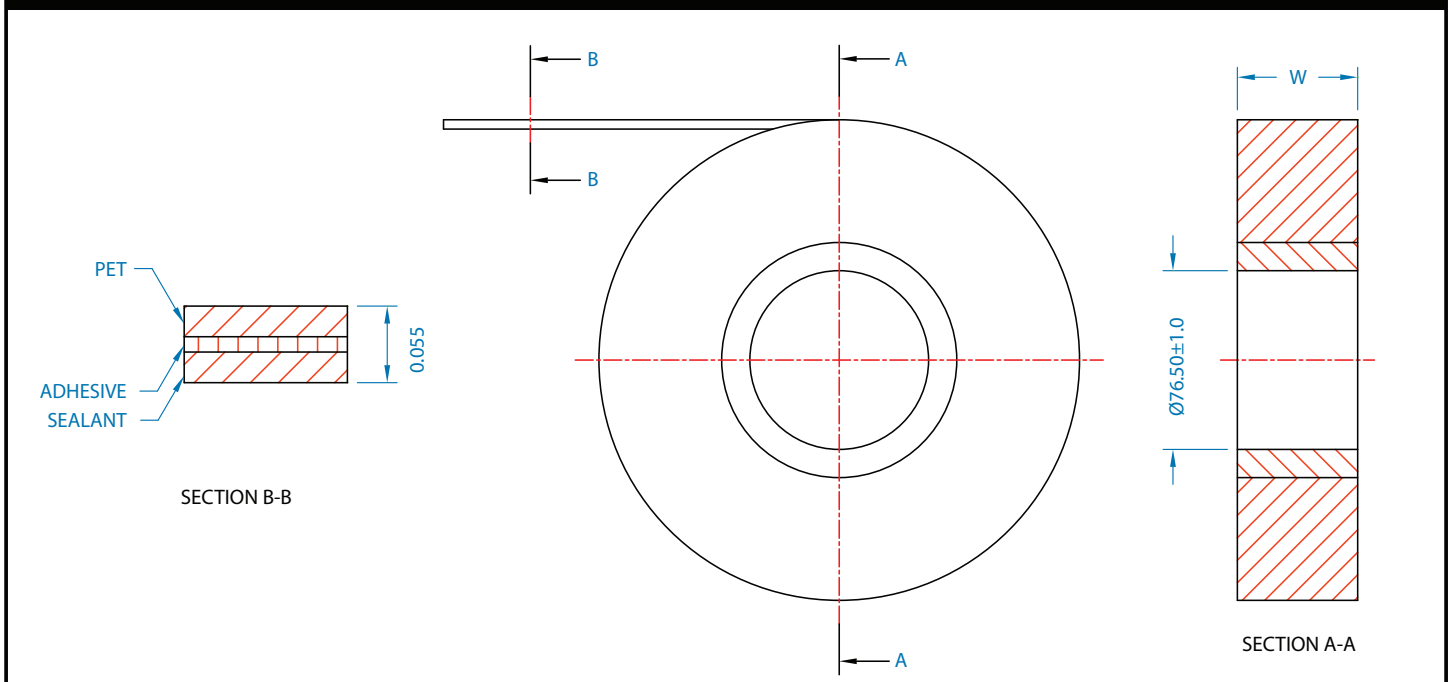
Ramtron International Corporation
 1850 Ramtron Drive, Colorado Springs, CO 80921
 (800) 545-FRAM, (719) 481-7000
 www.ramtron.com

Plastic Reel Dimensions



A (mm)	N (mm)	W_1 (mm)	W_2 (mm)	W_3 (mm)	D (mm)	B (mm)	C (mm)
329.2 (13")	178.0 ± 0.5 (7")	24.4 - 26.4	30.4	24.4 - 26.4	2.5 ± 0.2	2.0 ± 0.3	13.1 ± 0.3

Cover Tape Dimensions



Cover Tape Width (W)	Cover Tape Thickness
21.3 ± 0.1 mm	0.045 ± 0.065 mm