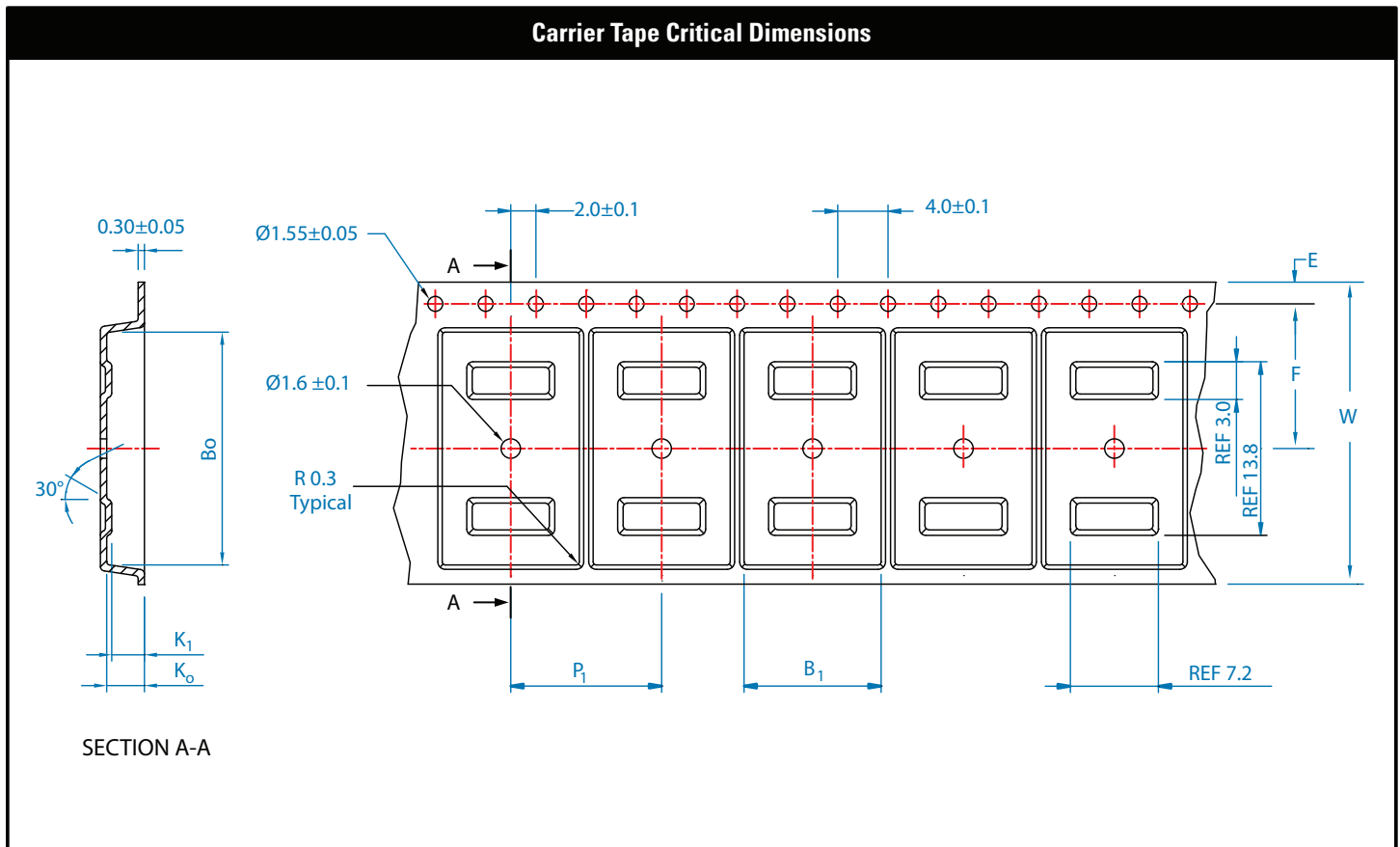
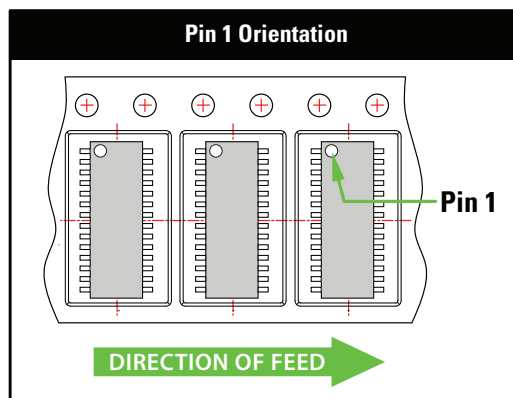


TAPE & REEL SPECIFICATIONS  
**28-pin SOIC Package**



Lead Count	Package	Carrier Tape Dimensions (mm)								
		W	F	E	B <sub>0</sub>	B <sub>1</sub>	K <sub>0</sub>	K <sub>1</sub>	Pitch (P <sub>1</sub> )	Thickness
28	SOIC 28-pin	24.00 ± 0.3	11.50 ± 0.1	1.75 ± 0.1	18.30 ± 0.1	10.90 ± 0.1	3.20 ± 0.1	2.70 ± 0.1	12.00 ± 0.1	0.30 ± 0.05

Cover Tape Width	Reel Diameter	Leader Length	Trailer Length	Qty / Reel
21.3 mm	330 mm	390 mm	160 mm	1000



**Typical Label Specifications**

**RAMTRON** FMxxxx-GTR

① (1P) SUPP PROD ID: 80036G4TR / 80019G3TR

② (1T) LOT NUMBER: 1185 / 1350

③ (Q) QUANTITY: 1185 / 1350

R/C NO: RAWPB2297.3/RAWPB2262.1 ④

⑤ COUNTRY OF ORIGIN: THAILAND

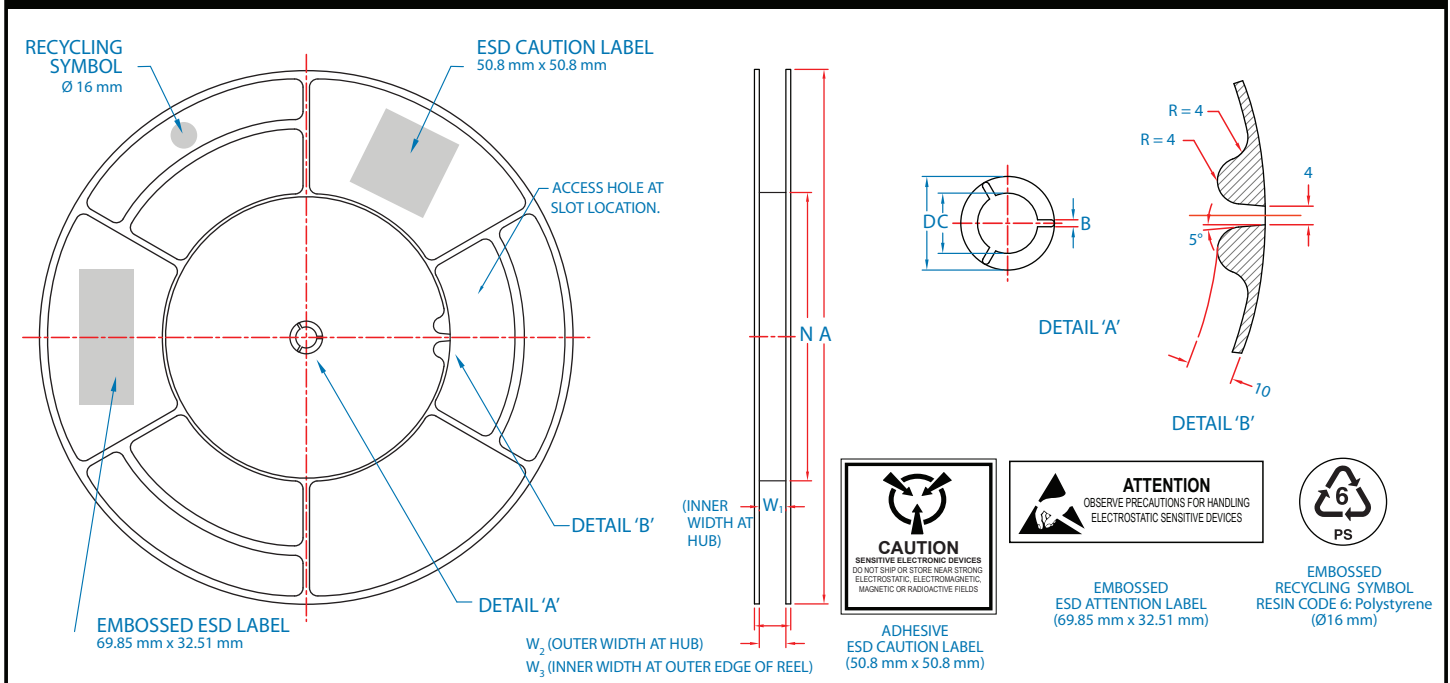
⑥ (D) DATE CODE: 0830 / 0830

⑦ BOX: 1 OF 1

⑧ QA Stamp: QC ACCEPTED NO. 782

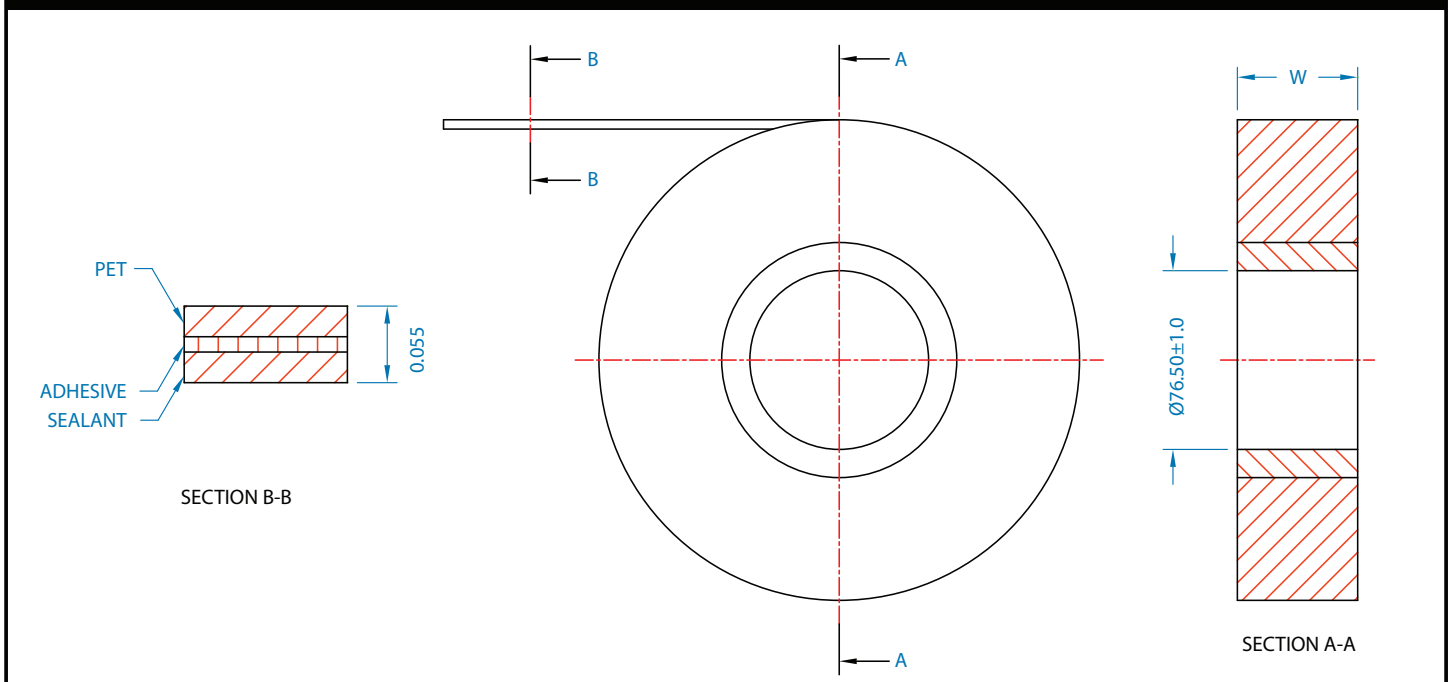
1. Product number
2. Lot number (max. 2 lots)
3. Quantity (of ea. lot)
4. Internal mfg. no. (optional)
5. Country of origin
6. Date code
7. No. of boxes in shipment
8. Quality assurance stamp

**Plastic Reel Dimensions**



A (mm)	N (mm)	$W_1$ (mm)	$W_2$ (mm)	$W_3$ (mm)	D (mm)	B (mm)	C (mm)
329.2 ± 0.5 (13")	178.0 ± 0.5	24.4 - 26.4	30.4	24.4 (min) - 26.4 (max)	20.5 ± 0.2	2.0 ± 0.3 (min)	13.0 ± 0.3

**Cover Tape Dimensions**



Cover Tape Width (W)	Cover Tape Thickness
21.3 ± 0.1 mm	0.045 ± 0.065 mm