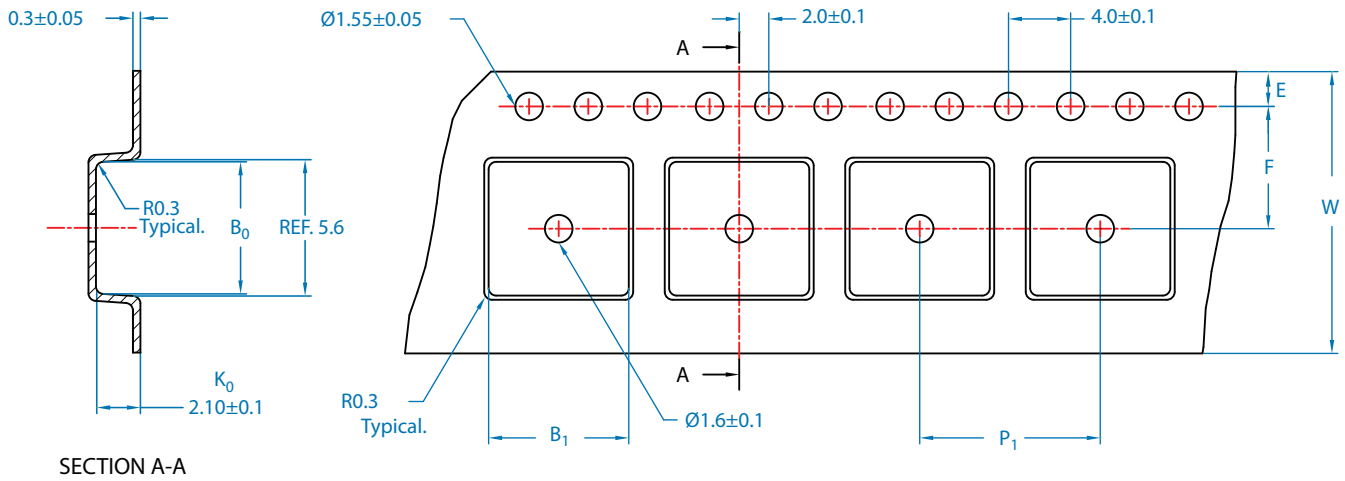


# 8-pin SOIC Package

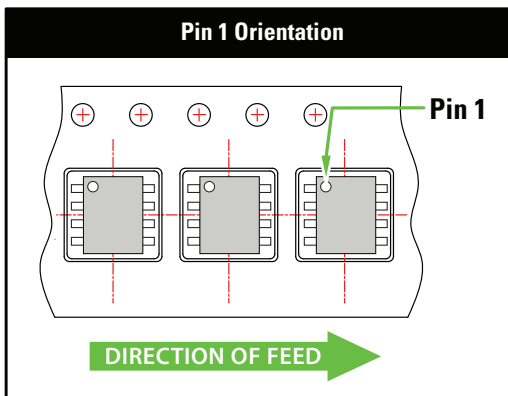


## Carrier Tape Critical Dimensions



Lead Count	Package	Carrier Tape Dimensions (mm)							
		W	F	E	B <sub>0</sub>	B <sub>1</sub>	K <sub>0</sub>	Pitch (P <sub>1</sub> )	Thickness
8	SOIC 8-pin	12.00 ± 0.3	5.50 ± 0.1	1.75	5.30 ± 0.1	6.50 ± 0.1	2.10 ± 0.1	8.00 ± 0.1	0.30 ± 0.05

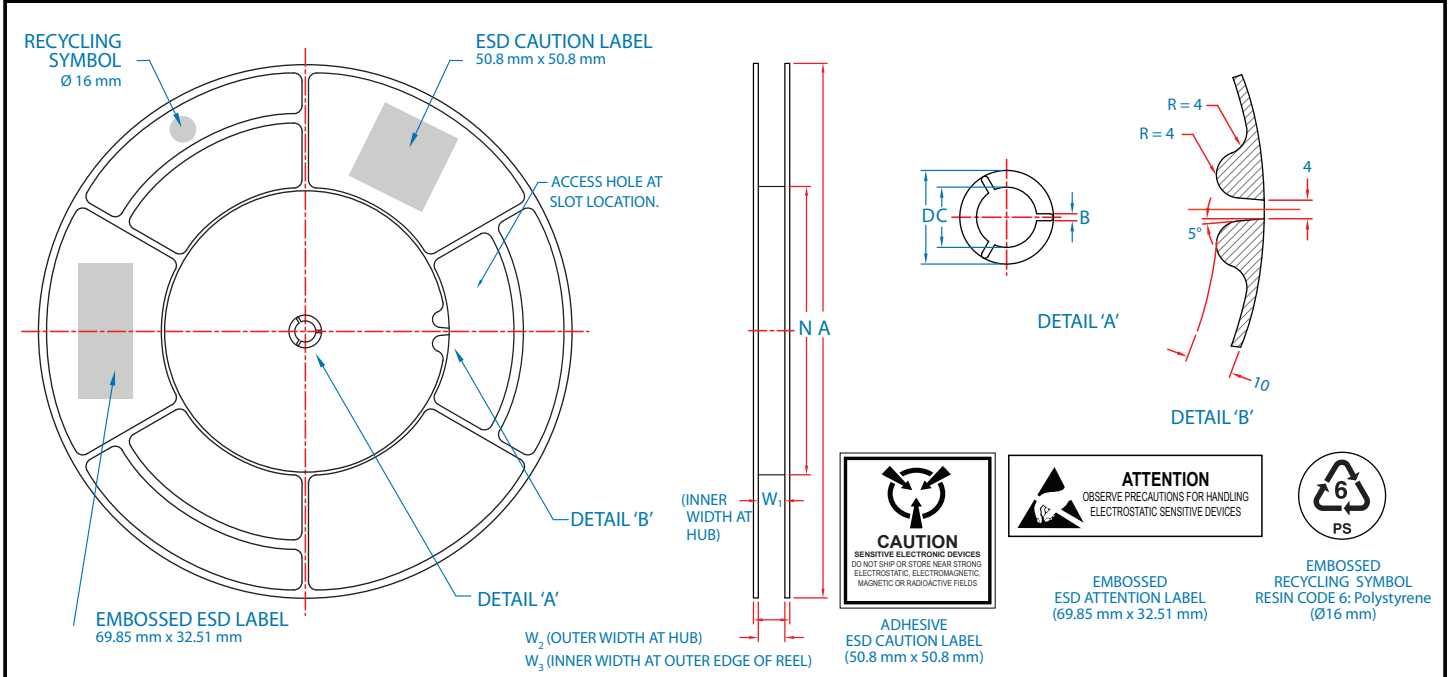
Cover Tape Width	Reel Diameter	Leader Length	Trailer Length	Qty / Reel
9.10 mm	330 mm	390 mm	160 mm	2500



### Typical Label Specifications

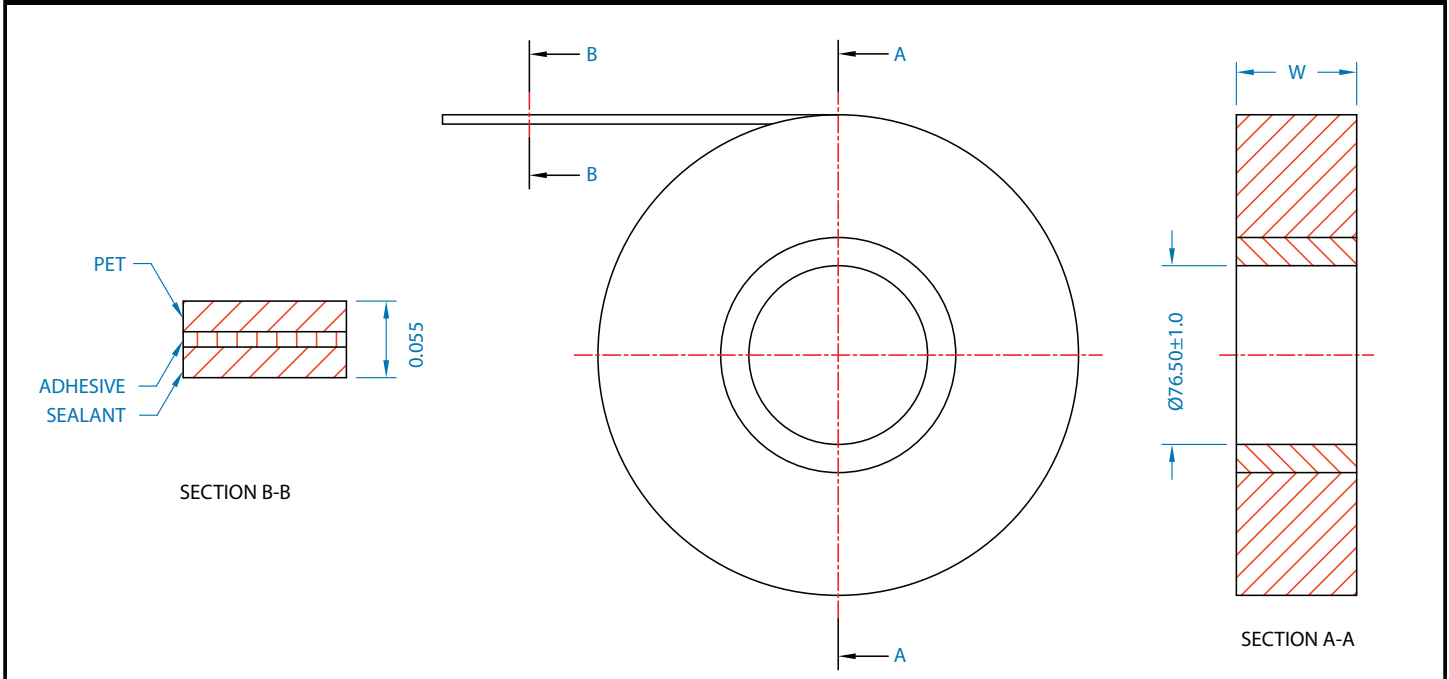
- Product number
- Lot number (max. 2 lots)
- Quantity (of ea. lot)
- Internal mfg. no. (optional)
- Country of origin
- UL Recognized Component mark with adjacent UL file number (*Processor companion parts only*)
- Date code
- No. of boxes in shipment
- Quality assurance stamp

Plastic Reel Dimensions



A (mm)	N (mm)	W <sub>1</sub> (mm)	W <sub>2</sub> (mm)	W <sub>3</sub> (mm)	D (mm)	B (mm)	C (mm)
330 (13")	177 ± 5.0 (7")	12.4 - 14.4	18.4	11.9 (min) - 15.4 (max)	20.2 ± 0.5	1.5 (min)	13.0 ± 0.25

Cover Tape Dimensions



Cover Tape Width (W)	Cover Tape Thickness
9.2 ± 0.1 mm	0.045 ± 0.065 mm