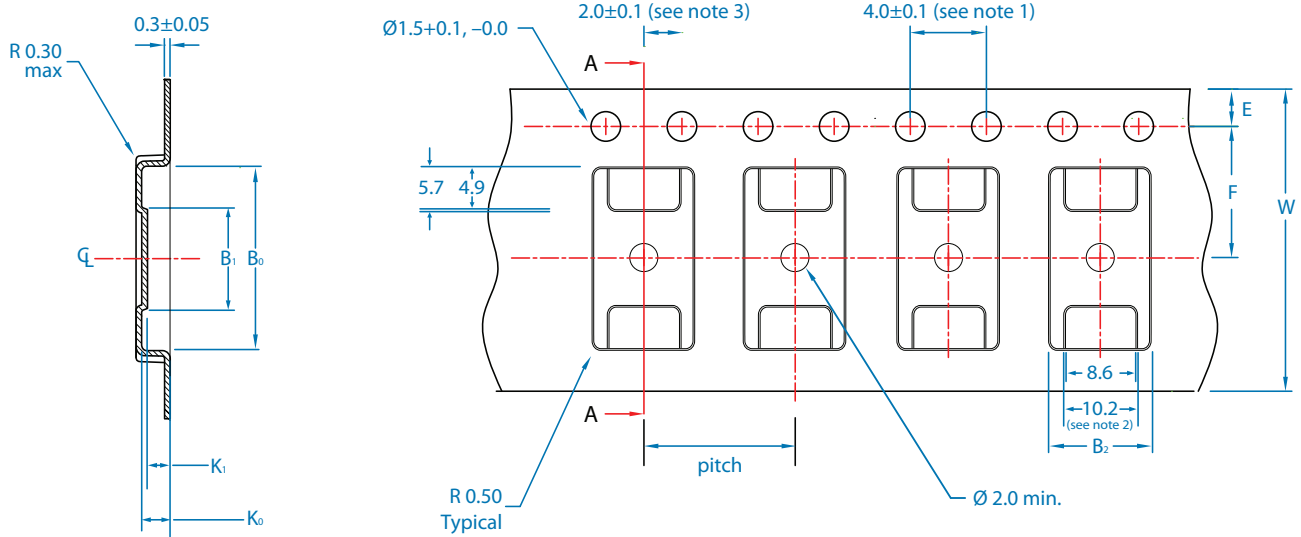


TAPE & REEL SPECIFICATIONS

44-pin TSOP-II Package



Carrier Tape Critical Dimensions



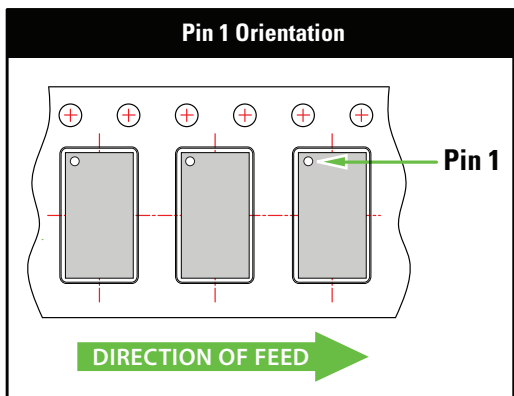
SECTION A-A

NOTES:

- 1) 10 sprocket hold pitch cumulative tolerance 0.2.
- 2) Camber in compliance with EIA 481.
- 3) Pocket position relative to sprocket hole measured as true position of pocket, not pocket hole.

Lead Count	Package	Carrier Tape Dimensions (mm)									
		W	F	E	B ₀	B ₁	B ₂	K ₀	K ₁	Pitch	Thickness
44	TSOP-II	32	14.2 ± .1	1.75 ±.1	19	8.6	12.4	2.1	1.3	16 mm	0.30 ± 0.05 mm

Cover Tape Width	Reel Diameter	Leader Length	Trailer Length	Qty / Reel
25.5 mm	330 mm	393.7 mm	165.1 mm	1000



Typical Label Specifications

RAMTRON FMxxxxx-TG

1 (1P) SUPP PROD ID:

2 (1T) LOT NUMBER:

3 (Q) QUANTITY:

R/C NO: T944G / T943Y 4

5 COUNTRY OF ORIGIN: THAILAND

6 0830 / 0830

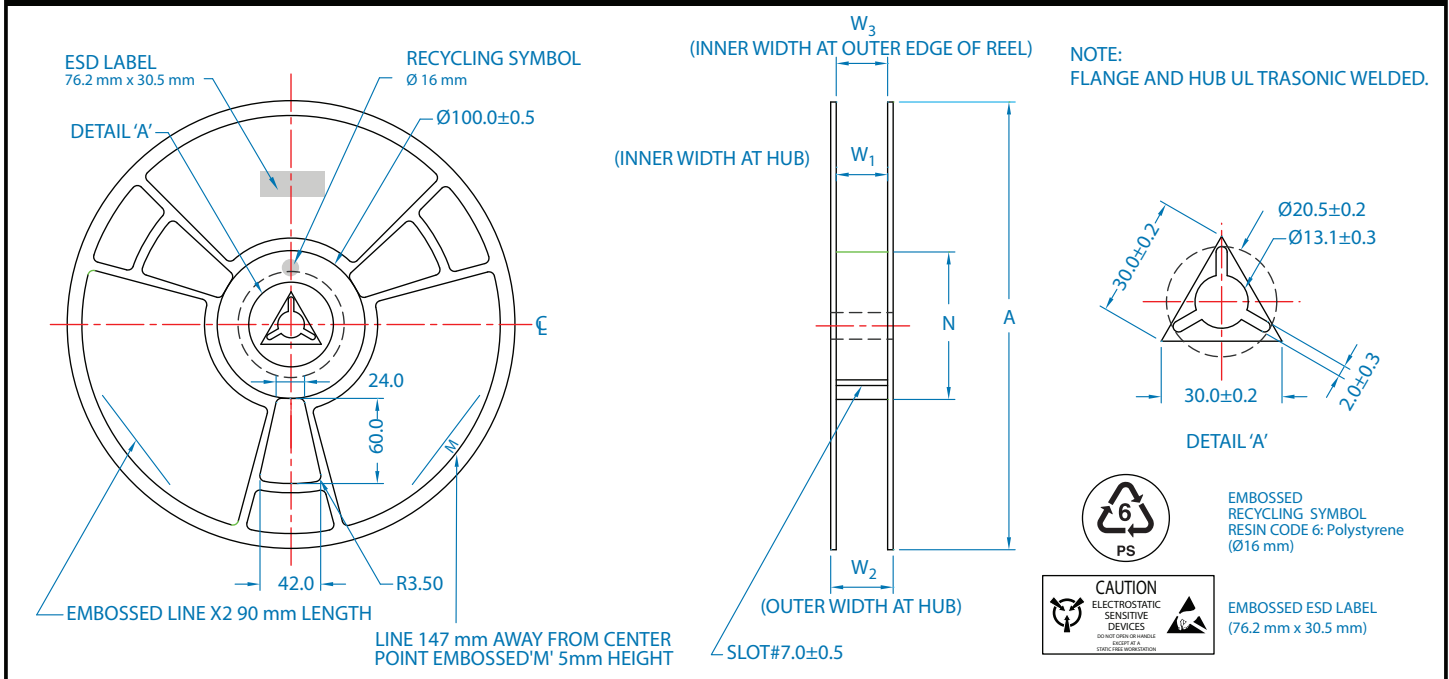
(D) DATE CODE:

7 BOX: 1 OF 1

8 QA Stamp:

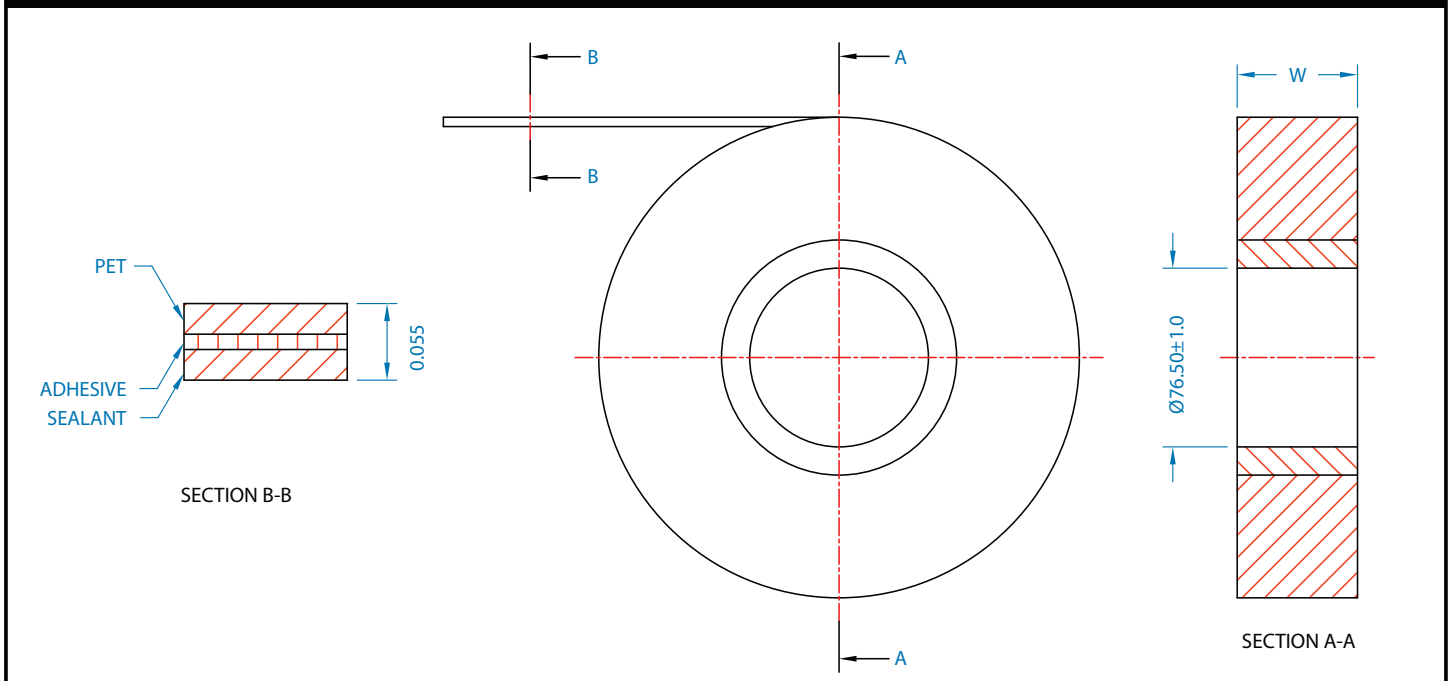
1. Product number
2. Lot number (max. 2 lots)
3. Quantity (of ea. lot)
4. Internal mfg. no. (optional)
5. Country of origin
6. Date code
7. No. of boxes in shipment
8. Quality assurance stamp

Plastic Reel Dimensions



A (mm)	N (mm)	W_1 (mm)	W_2 (mm)	W_3 (mm)
330 ± 0.5 (13")	101.6	12.4 - 14.4	14.9 - 16.9	12.4 - 14.4

Cover Tape Dimensions



Cover Tape Width (W)	Cover Tape Thickness	Tape Length (minimum)
25.5 mm	0.0535 mm	16,560 mm (~652")