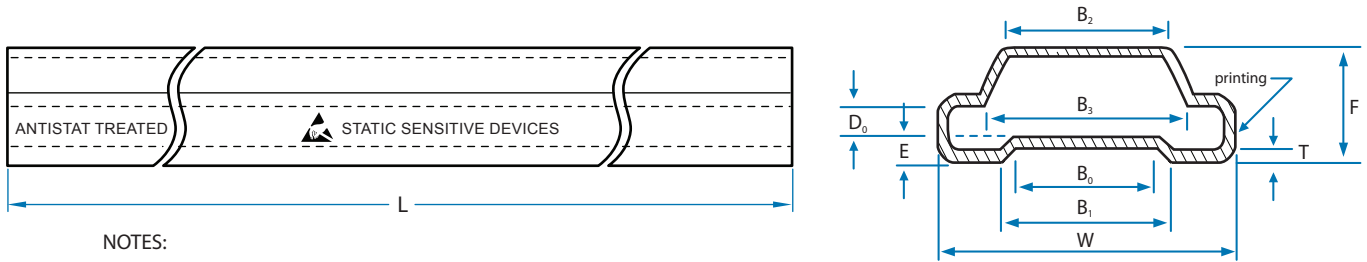


Tube Dimensions

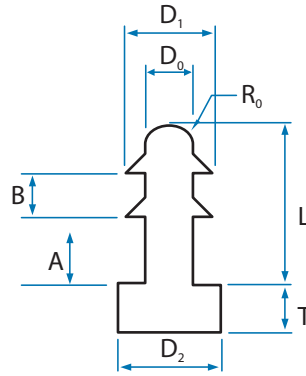
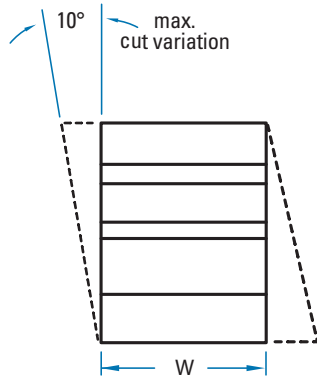


NOTES:

1. Drawing is not to scale.
2. Straightness TIR 0.030" (0.762mm) maximum
3. Tube color: Clear
4. Print color: Pantone PMS 2935 Blue

Pin count	Package	Parts/ Tube	Tube Dimensions (mm)									
			L	W	F	D ₀	E	T	B ₀	B ₁	B ₂	B ₃
28	SOIC 28-pin	27	508.406	14.732	5.207	1.397	1.588	0.635	6.985	7.874	7.620	9.525

End Plug/Pin Specifications



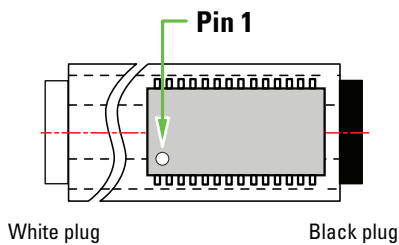
NOTES:

1. Drawing not to scale.
2. Straightness TIR 0.030" (0.762mm) max.
3. Antistatic coating with surface resistivity in range 1E+5 to 1E+10 Ohm/square.
4. Color: White and Black.

End Plug Dimensions (mm)

W	A	B	D ₀	D ₁	D ₂	R ₀	L	T
8.255	2.032	2.540	2.540	5.969	6.731	1.181	7.239	2.032

Pin 1 Orientation



Typical Label Specifications

RAMTRON

- 1 FMxxxx-SG
- 2 LOT80821G1
- 3 QTY 405
- 4 DATE CODE 0826
- 5 COUNTRY OF ORIGIN - THAILAND

Minimum label information

1. Product number
2. Lot number (max. 1 lot per tube)
3. Part quantity
4. Date code
5. Country of origin