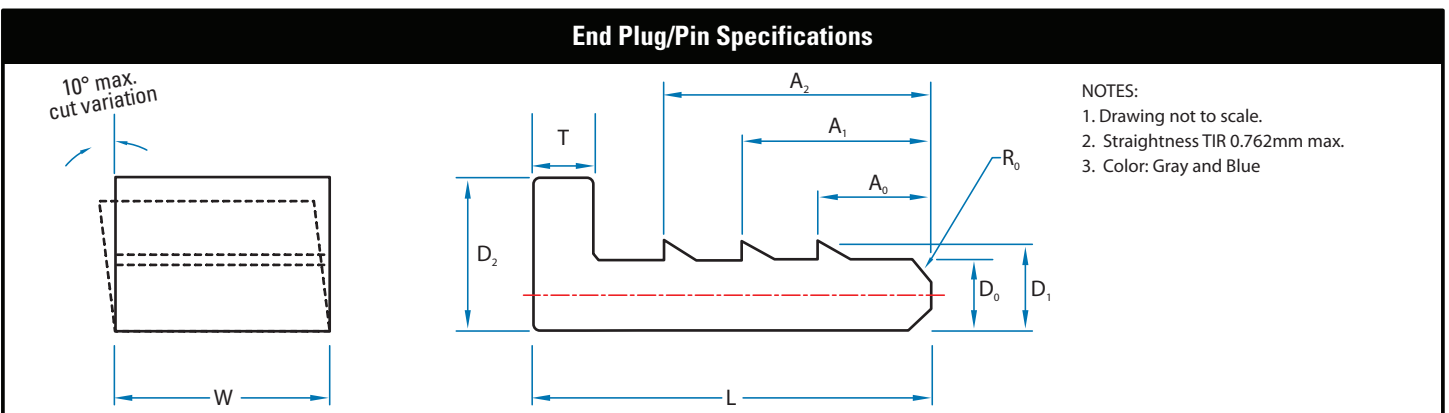
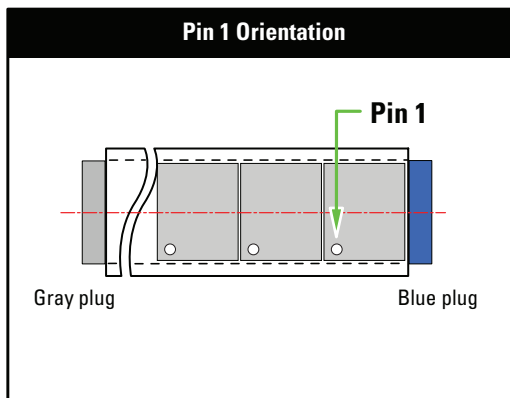


Pin count	Package	Parts/ Tube	Tube Dimensions (mm)					
			L	C	D	R ₀	R ₁	T
8	TDFN 4.0 x 4.5 mm	81 (max)	381.00 ± 1.14	4.50 ± 0.08	1.27 ± 0.08	0.127	0.406	0.508 ± 0.127



End Plug Dimensions (mm)

A ₀	A ₁	A ₂	D ₀	D ₁	D ₂	L	T	R ₀	W
1.900	3.180	4.450	1.140	1.390	2.540	6.600	1.000	0.500	3.500



Typical Label Specifications

RAMTRON

- ① FMxxxx-DG
- ② LOT80821G1
- ③ QTY 370
- ④ DATE CODE 0826
- ⑤ COUNTRY OF ORIGIN - THAILAND

Minimum label information

1. Product number
2. Lot number (max. 1 lot per tube)
3. Part quantity
4. Date code
5. Country of origin