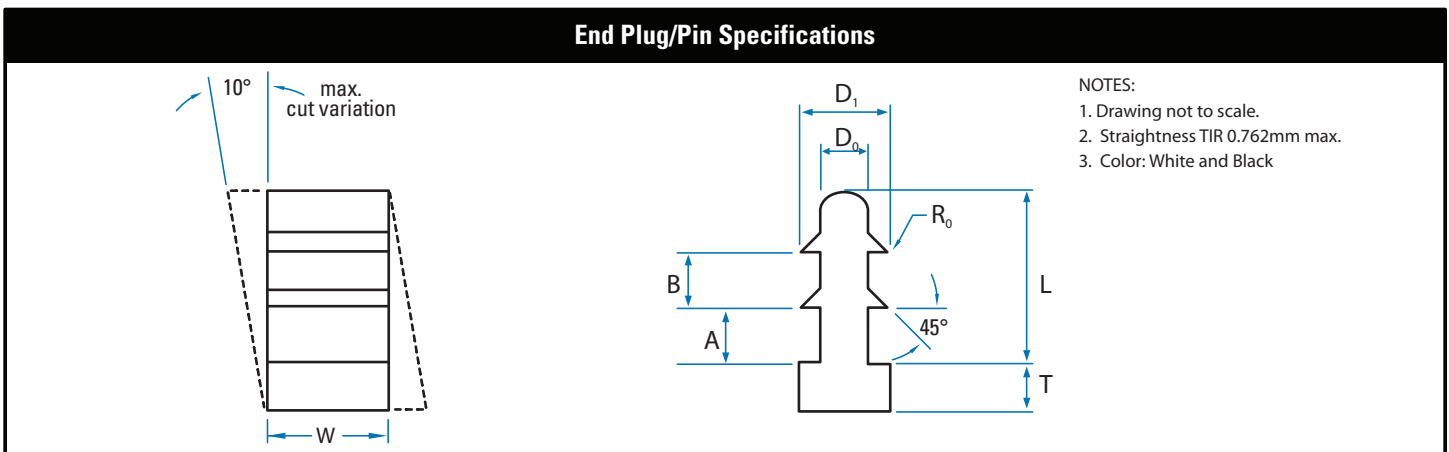
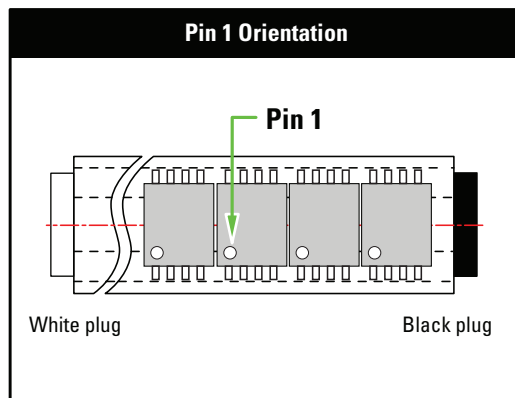


Pin count	Package	Parts/ Tube	Typical Tube Dimensions (mm)									
			A ₀	B ₀	B ₁	D ₀	D ₁	E	F	L	W	T
8	EIAJ 8-Pin	94 (max)	2.030	5.200	5.700	2.135	1.470	0.054	4.130	530.000	10.590	0.600



End Plug Dimensions (mm)

W	A	B	D ₀	D ₁	R ₀	L	T
4.445	2.032	2.032	1.778	3.429	0.127	6.350	1.778



Typical Label Specifications

RAMTRON

- 1 FMxxxx-G
- 2 LOT80821G1
- 3 QTY 370
- 4 DATE CODE 0826
- 5 COUNTRY OF ORIGIN - THAILAND

Minimum label information

1. Product number
2. Lot number (max. 1 lot per tube)
3. Part quantity
4. Date code
5. Country of origin