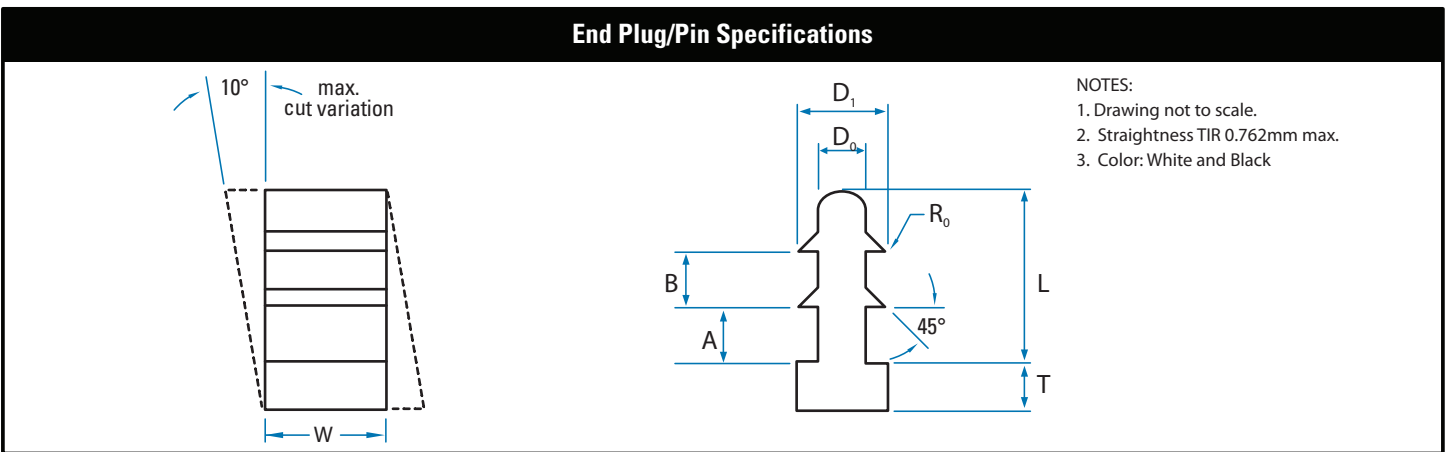
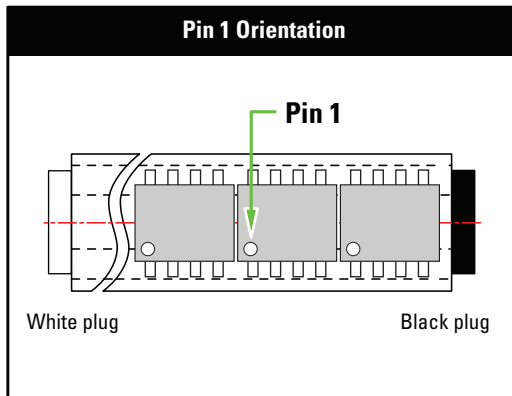


Pin count	Package	Parts/ Tube	Tube Dimensions (mm)								
			L	W	C	F	D	E	B ₀	B ₁	T
8	SOIC 8-Pin	100 (max)	520.700	7.899	6.858	4.064	2.235	1.397	3.048	4.699	0.533



End Plug Dimensions (mm)

W	A	B	D ₀	D ₁	R ₀	L	T
4.445	2.032	2.032	1.778	3.429	0.127	6.350	1.778



Typical Label Specifications

RAMTRON

- 1 FMxxxx-G
- 2 LOT80821G1
- 3 QTY 370
- 4 DATE CODE 0826
- 5 COUNTRY OF ORIGIN - THAILAND

Minimum label information

1. Product number
2. Lot number (max. 1 lot per tube)
3. Part quantity
4. Date code
5. Country of origin